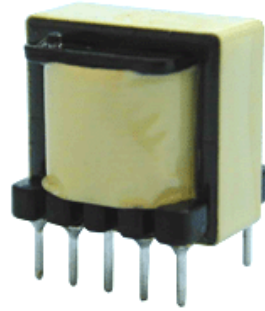


**Features**

1. Compact,light,easy surface mounting
2. Autometed mounting and reflow soldering
3. High impedance and low loss
4. The products contain no lead and also support lead-free solder
- 5, All matrials ROHS compliance and use are UL listed

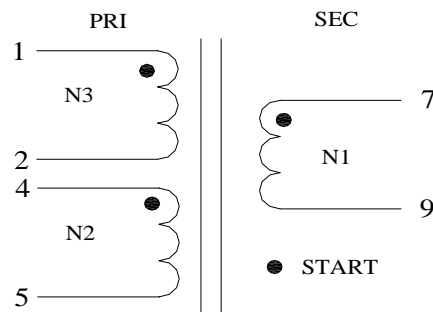


1. Switching power supply
2. Computer products
3. DVD
4. DC-DC converter

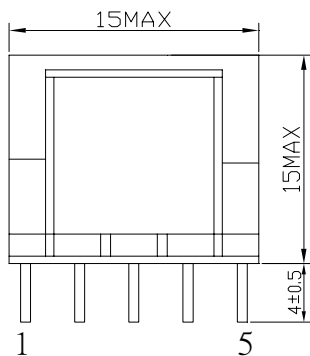
**Electrical characteristics**

Model No.	Winding ratio Primary secondary	Inductance	secondary leakage inductance	DC Resistance at:25°C	Insulation withstand voltage	Test frequency voltage (KHz/V)
EE13T1000L168	(7-9):(4-5)=100:1 (7-9):(1-2)=1000:13	(7-9)=168mH±15%	500uH MAX (sec short)	(7-9)=80Ω MAX (4-5)=350mΩ MAX (1-2)=150mΩ MAX	pri to sec AC 1.0KV/5mA 1SEC pri to core AC 0.5KV/5mA 1SEC sec to core AC 0.5KV/5mA 1SEC	1KHz/0.25V

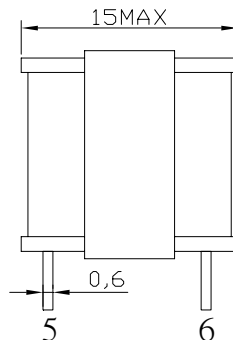
**Schematics(bottom)**



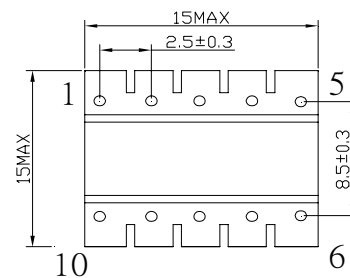
**Shapes and dimensions unit: mm**



ELEVATION VIEW



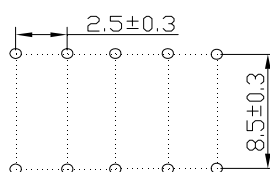
SIDE VIEW



BOTTOM VIEW



TOP VIEW



Recommended landing dimensions

## Features

1. Compact, light, easy surface mounting
2. Automated mounting and reflow soldering
3. High impedance and low loss
4. The products contain no lead and also support lead-free soldering
5. All materials ROHS compliance and use are UL listed



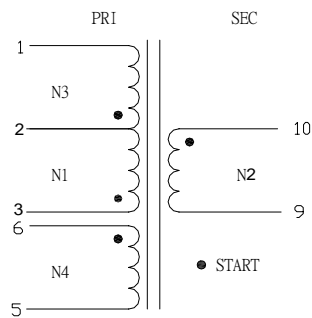
## Application

1. Switching power supply
2. Computer products
3. DVD
4. DC-DC converter

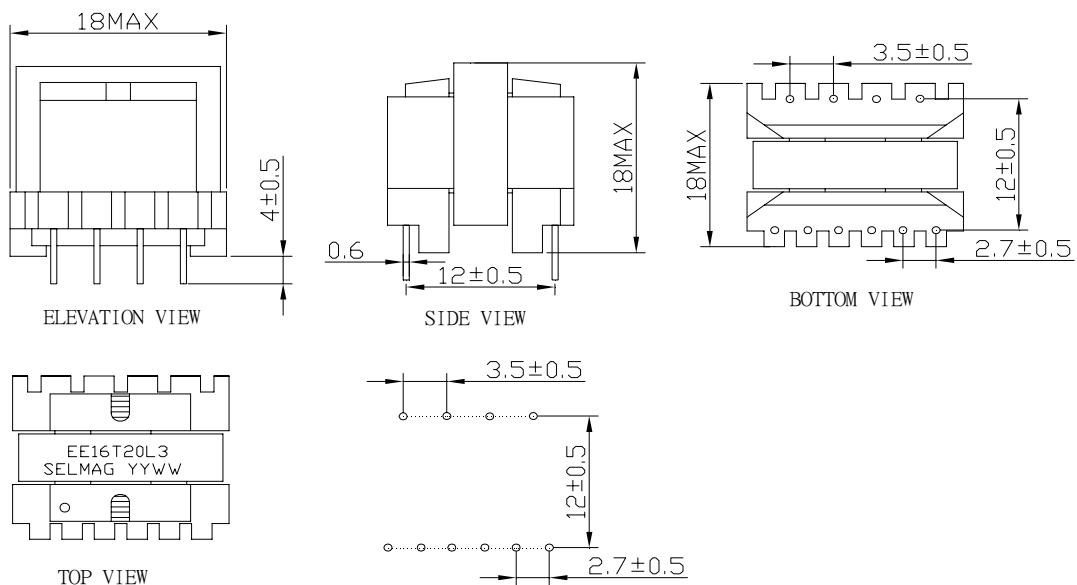
## Electrical characteristics

Model No.	Winding ratio Primary secondary	Inductance	secondary leakage inductance	DC Resistance at:25°C	Insulation withstand voltage	Test frequency voltage (KHz/V)
EE16T20L3	(3-1):(10-9)=19.5:1 (3-1):(6-5)=39:5	(3-1)=3mH±10%	100uH MAX (sec short)	(3-1)=3.3Ω MAX (10-9)=22mΩ MAX (6-5)=1.3Ω MAX	pri to sec AC 3KV/5mA 1SEC pri to core AC 1.0KV/5mA 1SEC sec to core AC 1.0KV/5mA 1SEC	1KHz/0.25V

## Schematics(bottom)



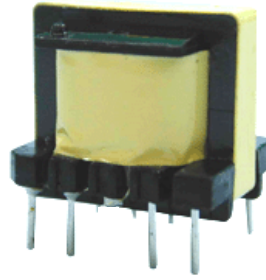
## Shapes and dimensions unit: mm



Recommended landing dimensions

**Features**

1. Compact,light,easy surface mounting
2. Autometed mounting and reflow soldering
3. High impedance and low loss
4. The products contain no lead and also support lead-free solderir
- 5, All matrials ROHS compliance and use are UL listed



**Application**

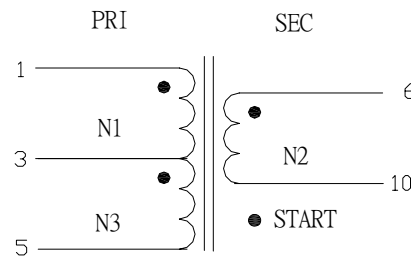
1. Switching power supply
2. Computer products
3. DVD
4. DC-DC converter



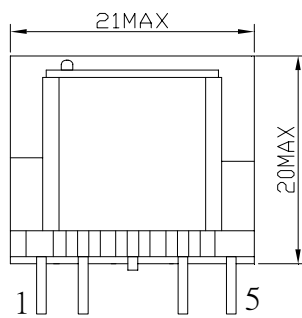
**Electrical characteristics**

Model No.	Winding ratio Primary secondary	Inductance	secondary leakage inductance	DC Resistance at:25°C	Insulation withstand voltage	Test frequency voltage (KHz/V)
EE-19T98L770	(1-5):(6-10)=49:11	(1-5)=770uH±10%	30uH MAX (sec short)	(1-5)=2.3Ω MAX (6-10)=140mΩ MAX	pri to sec AC 3.0KV/5mA 1SEC pri to core AC 1.0KV/5mA 1SEC sec to core AC 1.0KV/5mA 1SEC	1KHz/0.25V

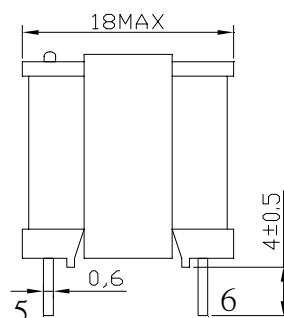
**Schematics(bottom)**



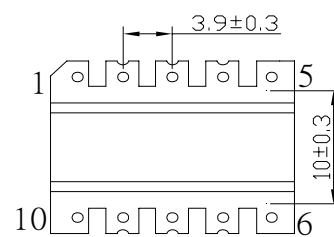
**Shapes and dimensions unit: mm**



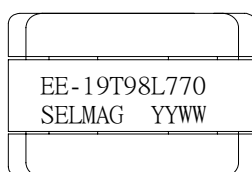
EVELATION VIEW



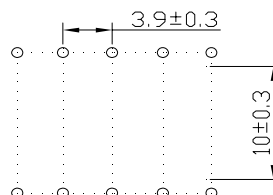
SIDE VIEW



BOTTOM VIEW



TOP VIEW



Recommended landing dimensions

**Features**

1. Compact,light,easy surface mounting
2. Autometed mounting and reflow soldering
3. High impedance and low loss
4. The products contain no lead and also support lead-free solderir
- 5, All matrials ROHS compliance and use are UL listed



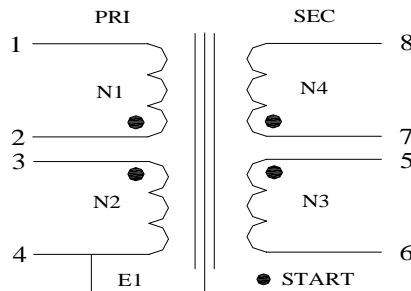
**Application**

1. Switching power supply
2. Computer products
3. DVD
4. DC-DC converter

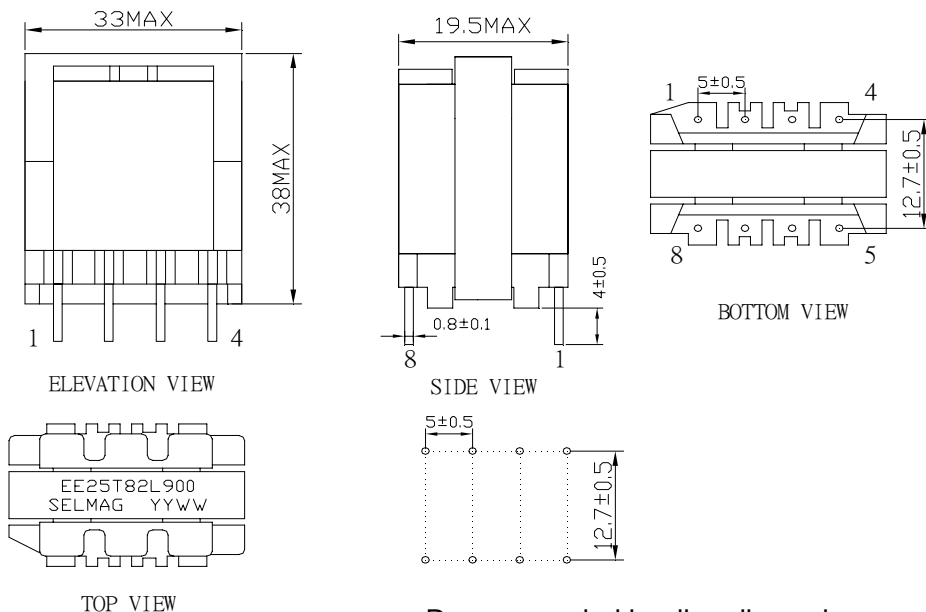
**Electrical characteristics**

Model No.	Winding ratio Primary secondary	Inductance	secondary leakage inductance	DC Resistance at:25°C	Insulation withstand voltage	Test frequency voltage (KHz/V)
EE25T82L900	(2-1):(3-4)=82:13 (2-1):(5-6)=41:10 (2-1):(7-8)=41:5	(2-1)=900uH±10%	92uH MAX (sec short)	(2-1)=700mΩ MAX (3-4)=165mΩ MAX (5-6)=180mΩ MAX (7-8)=150mΩ MAX	pri to sec AC 3.0KV/5mA 1SEC pri to core AC 1.0KV/5mA 1SEC sec to core AC 1.0KV/5mA 1SEC	1KHz/0.25V

**Schematics(bottom)**



**Shapes and dimensions unit: mm**



Recommended landing dimensions

**Features**

1. Compact,light,easy surface mounting
2. Autometed mounting and reflow soldering
3. High impedance and low loss
4. The products contain no lead and also support lead-free solder
- 5, All matrials ROHS compliance and use are UL listed



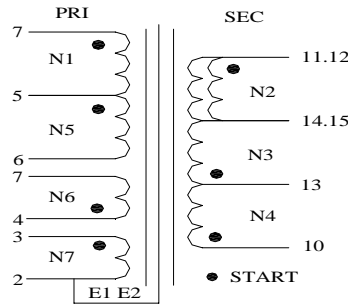
**Application**

1. Switching power supply
2. Computer products
3. DVD
4. DC-DC converter

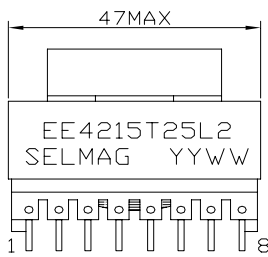
**Electrical characteristics**

Model No.	Winding ratio Primary secondary	Inductance	secondary leakage inductance	DC Resistance at:25°C	Insulation withstand voltage	Test frequency voltage (KHz/V)
EE4215T25L2	(7-6):(10-14.15)=25:6 (7-6):(11-14)=25:12 (7-6):(4-7)=1:1 (7-6):(3-2)=25:3	(7-6)=2mH MIN	10uH MAX (sec short)	(7-6)=98mΩ MAX (4-7)=320mΩ MAX (3-2)=45mΩ MAX (10-14.15)=60mΩ MAX (11-14)=30mΩ MAX	pri to sec AC 3KV/5mA 1SEC pri to core AC 1.5KV/5mA 1SEC sec to core AC 1.5KV/5mA 1SEC	1KHz/0.25V

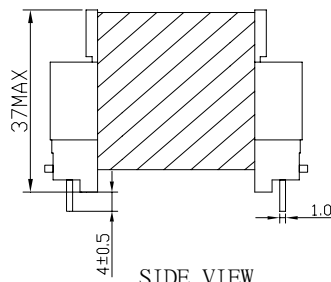
**Schematics(bottom)**



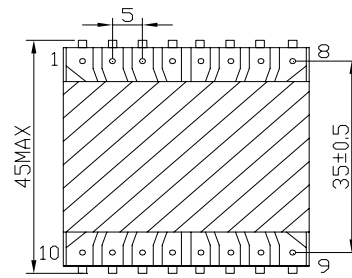
**Shapes and dimensions unit: mm**



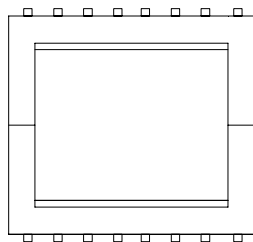
ELEVATION VIEW



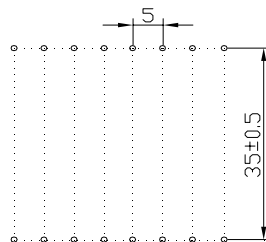
SIDE VIEW



BOTTOM VIEW



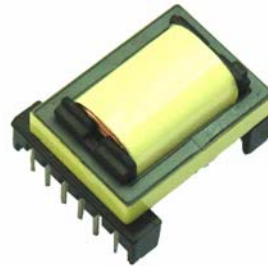
TOP VIEW



Recommended landing dimensions

**Features**

1. Compact, light, easy surface mounting
2. Automated mounting and reflow soldering
3. High impedance and low loss
4. The products contain no lead and also support lead-free solder
5. All materials ROHS compliance and use are UL listed



**Application**

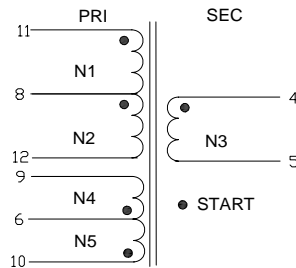
1. Switching power supply
2. Computer products
3. DVD
4. DC-DC converter



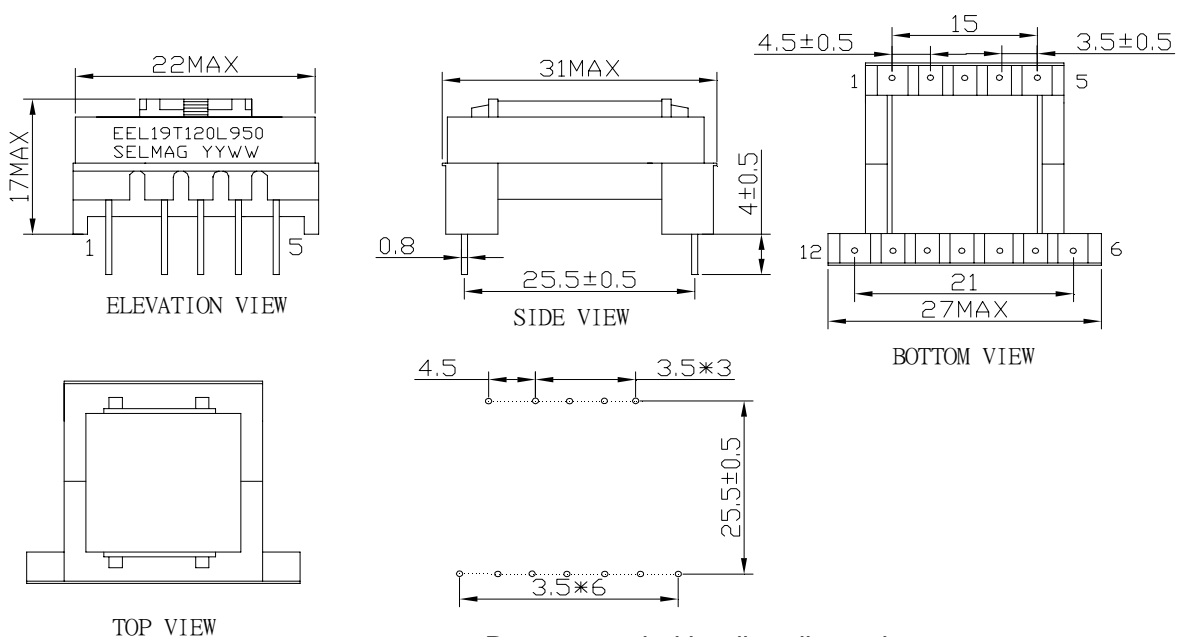
**Electrical characteristics**

Model No.	Winding ratio Primary secondary	Inductance	secondary leakage inductance	DC Resistance at:25°C	Insulation withstand voltage	Test frequency voltage (KHz/V)
EEL19T120L950	(11-12):(4-5)=7:1 (10-9):(4-5)=12.3:8	(11-12)=950uH±10%	30uH MAX (sec short)	(11-12)=1.4Ω MAX	pri to sec AC 3KV/5mA 1SEC pri to core AC 1KV/5mA 1SEC sec to core AC 1KV/5mA 1SEC	1KHz/0.25V

**Schematics(bottom)**



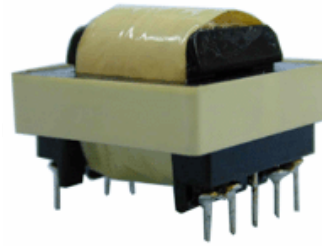
**Shapes and dimensions unit: mm**



Recommended landing dimensions

**Features**

1. Compact,light,easy surface mounting
2. Autometed mounting and reflow soldering
3. High impedance and low loss
4. The products contain no lead and also support lead-free solderi
- 5, All matrials ROHS compliance and use are UL listed



**Application**

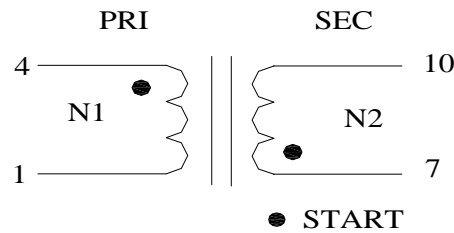
1. Switching power supply
2. Computer products
3. DVD
4. DC-DC converter



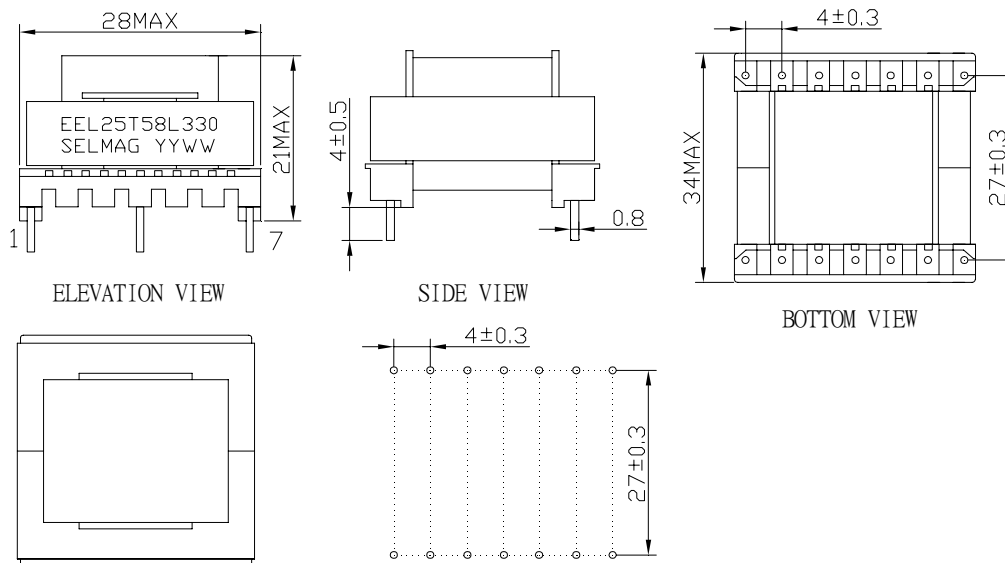
**Electrical characteristics**

Model No.	Winding ratio Primary secondary	Inductance	secondary leakage inductance	DC Resistance at:25°C	Insulation withstand voltage	Test frequency voltage (KHz/V)
EEL25T58L330	(4-1):(7-10)=29:3	(4-1)=330uH±10%	100uH MAX (sec short)	(1-4)=650mΩ MAX (6-8)=800mΩ MAX	pri to sec AC 3.0KV/5mA 1SEC pri to core AC 1.0KV/5mA 1SEC sec to core AC 1.0KV/5mA 1SEC	1KHz/0.25V

**Schematics(bottom)**



**Shapes and dimensions unit: mm**



Recommended landing dimensions